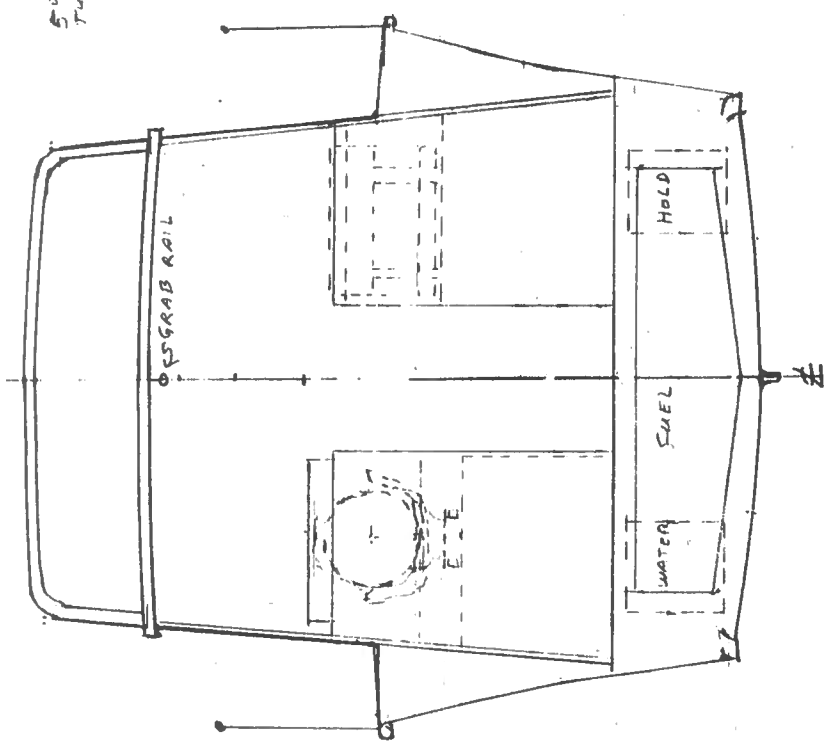
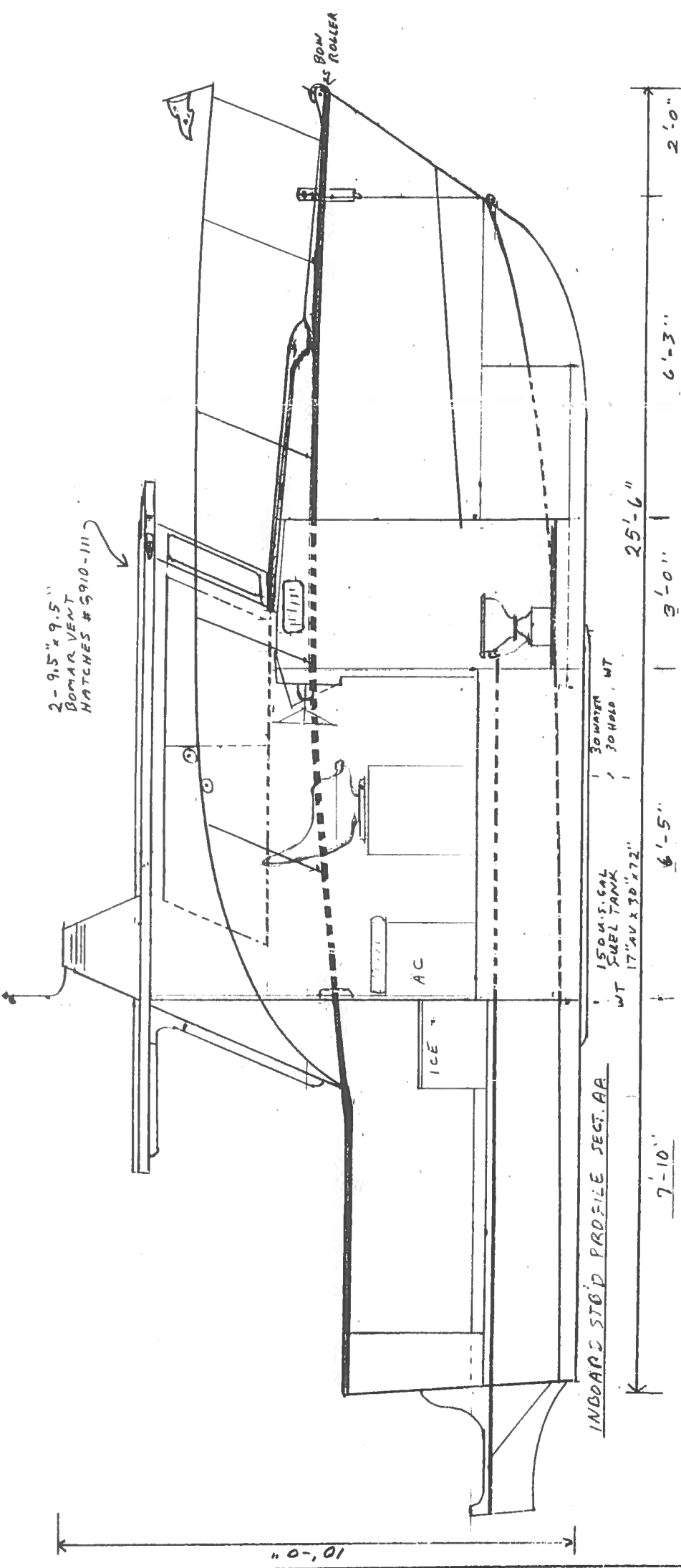


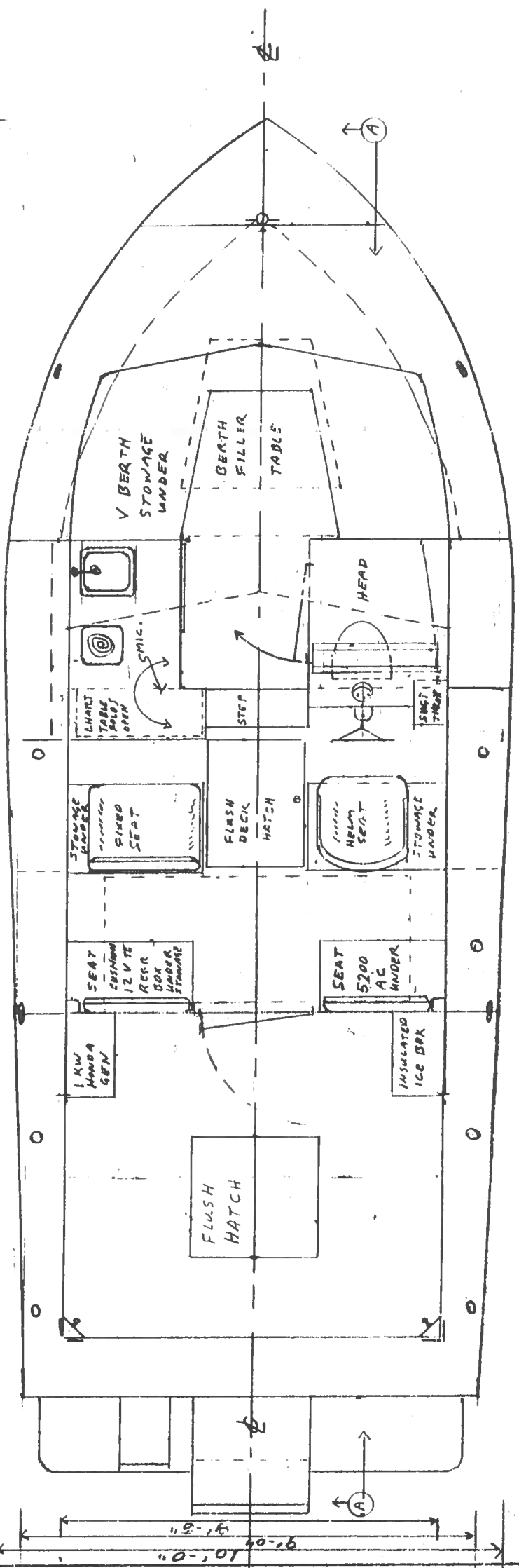
50
Turntable Name



CROSS SECTION CHART: HELM STA.



INBOARD STOW PROFILE SECT. AA



PLAN INTERIOR

TYPE - WEEKEND CRUISER
 FOR - CAPT. RAY DENISON
 BY - *Ray Denison* N.A.
 DWG # - 1 M RD SCALE 3/8" = 1'-0"
 UPDATE - 11-5-01
 ORIGINAL DATE - 5-18-00
 PAGE 4 OF 4
 DECLARATION
 This drawing/usage is the exclusive property of FPM
 Marine Products, Inc. and may not be used or replicated without
 the express written permission of an officer of the company.

FPM
 FPM Marine Products, Inc.
 Manufacturing & Development
 2020 29th Ave. SE
 Maple Pt. WA 98147
 Phone/Fax (941) 348-1335

...MARINE ALLOY ALUMINUM VESSELS FOR YOUR MAXIMUM SAFETY AT SEA...